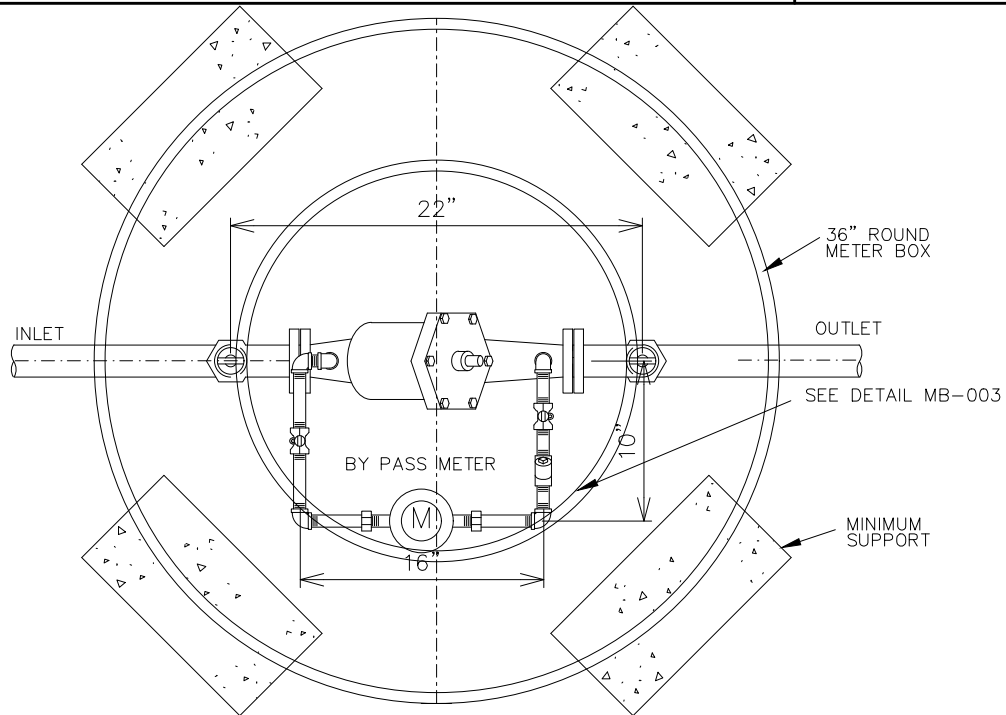
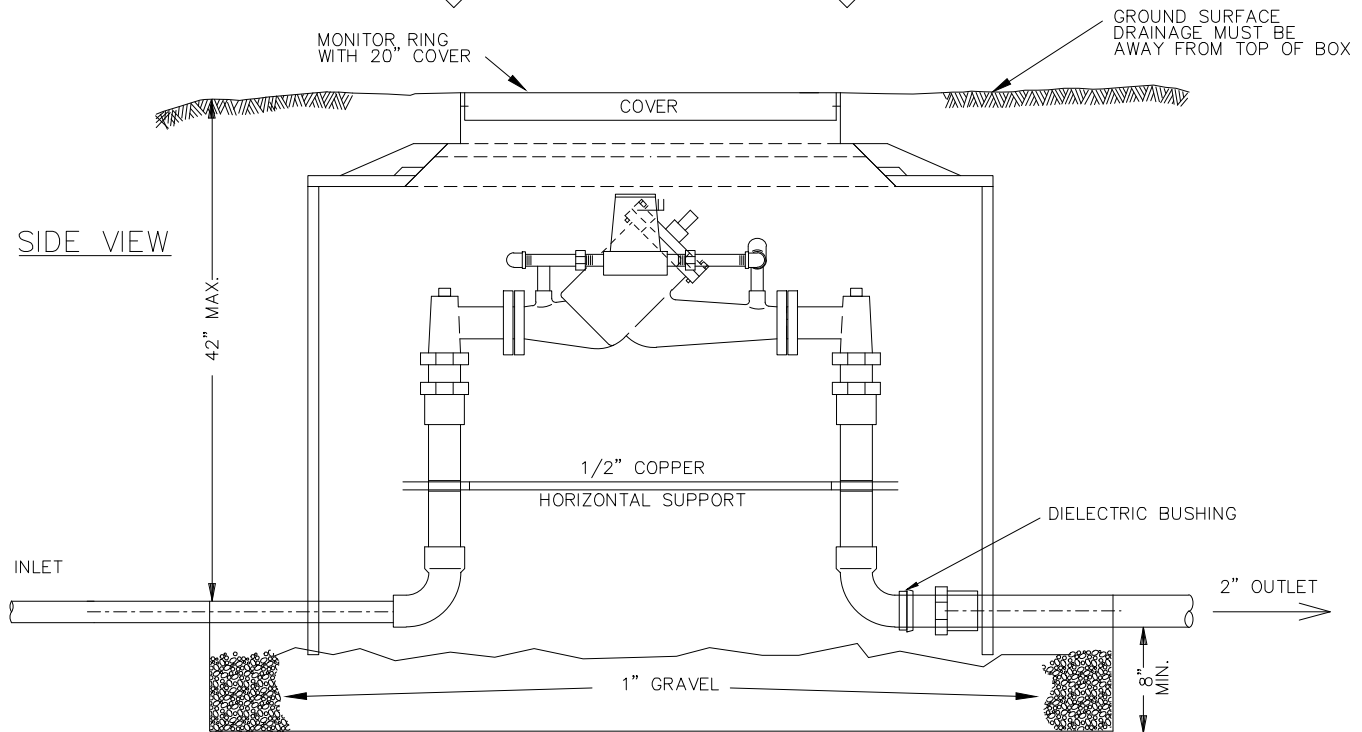


TOP VIEW



SIDE VIEW



NOTES: ONLY SPRING LOADED CHECK VALVES

1. LIDS AND FRAMES OF OPENING TO BE SET IN PLACE NOT IN CONCRETE
2. METER SETTER MUST BE STAKED AND Banded ON EACH END TO PROVIDE ADEQUATE SUPPORT
3. METER BOX TO BE LOCATED IN AREA OTHER THAN TRAFFICWAY AND WHERE SURFACE WATER WILL NOT DRAIN INTO IT
4. STANDARD 36" ROUND METER BOX REQUIRED WITH MONITOR FRAME AND 20" COVER.
5. COPPER OR, (IF APPROVED BY MAWC) HDPE MUST EXTEND A MIN. OF 6" FROM OUTLET SIDE OF BOX.
6. SERVICE CONNECTION TO PUBLIC WATER MAIN WILL NOT BE MADE BEFORE METER PIT AND PIPING ARE COMPLETE AND CONTROL VALVE INSTALLED, UNLESS APPROVED BY AUTHORIZED COMPANY REPRESENTATIVE.
7. RIGHT OF WAY VALVE AND ROADWAY BOX REQUIRED.
8. IF HDPE IS (APPROVED AND UTILIZED) THE CORRECT METER SETTER TO BE USED WITH HDPE PIPING.

SUBJECT TO REVISION WITHOUT NOTICE 08-28-2020

**METER PIPING  
FOR 2" DETECTOR CHECK ASSEMBLY**